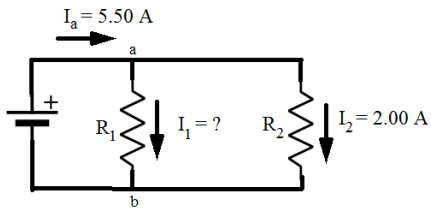


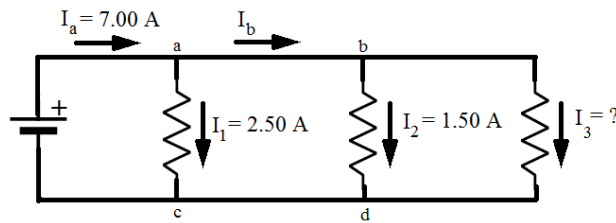
## 6.2 Kirchoff's Laws

1. Determine  $I_1$



$$I_1 = 3.5A$$

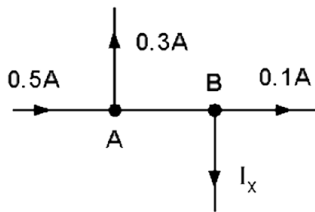
2. Determine  $I_b$ ,  $I_3$



$$I_b = 4.5A$$

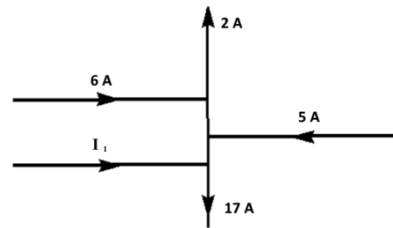
$$I_3 = 3A$$

3. Determine  $I_x$



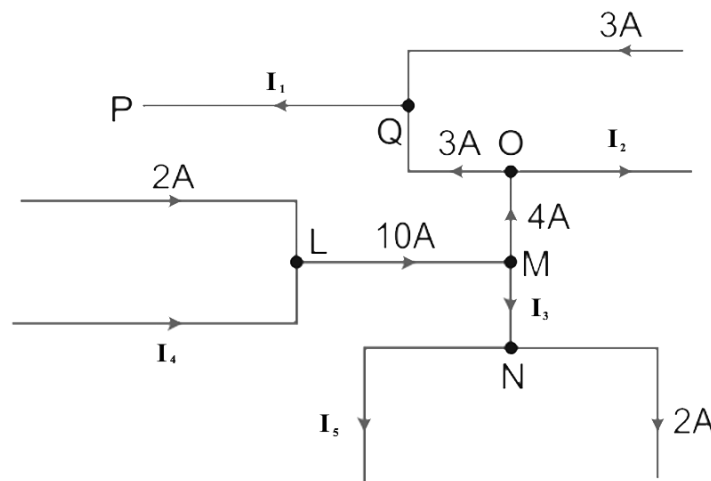
$$I_x = 0.1A$$

4. Determine  $I_1$



$$I_1 = 8A$$

5. Determine  $I_1$ ,  $I_2$ ,  $I_3$ ,  $I_4$ ,  $I_5$



$$I_1 = 6A$$

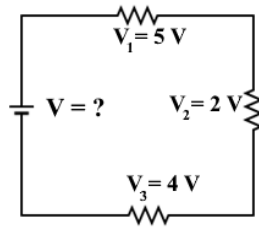
$$I_2 = 1A$$

$$I_3 = 6A$$

$$I_4 = 8A$$

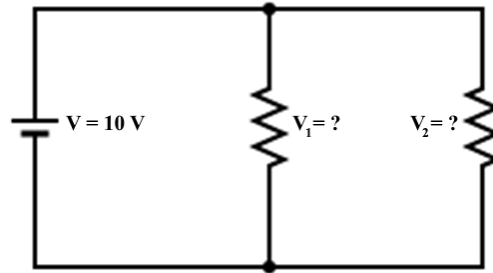
$$I_5 = 4A$$

6. Determine  $V$



$$V = 11V$$

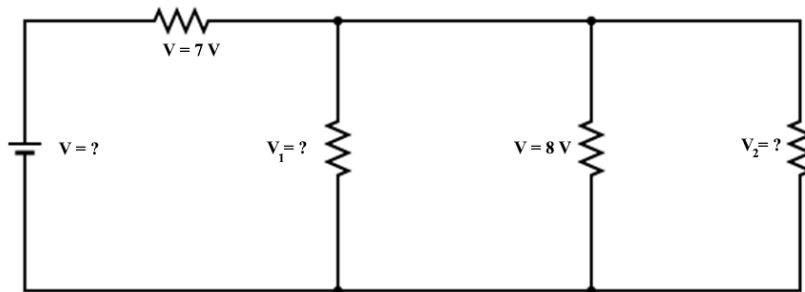
7. Determine  $V_1, V_2$



$$V_1 = 10V$$

$$V_2 = 10V$$

8. Determine  $V, V_1, V_2$

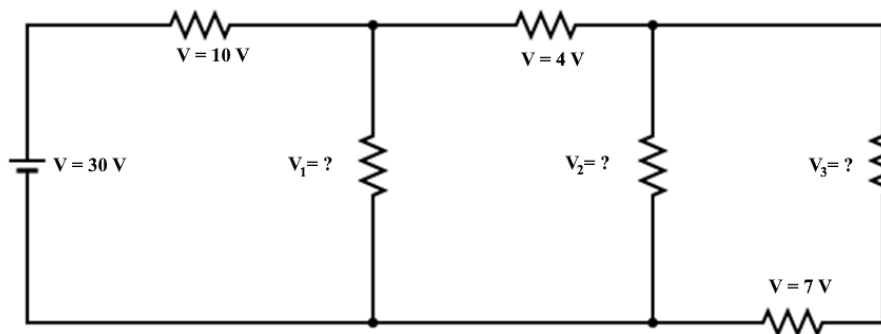


$$V_1 = 8V$$

$$V_2 = 8V$$

$$V = 15V$$

9. Determine  $V_1, V_2, V_3$



$$V_1 = 20V$$

$$V_2 = 16V$$

$$V_3 = 9V$$